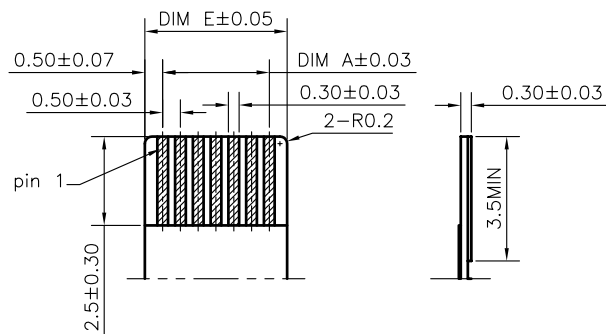
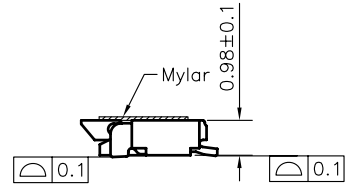
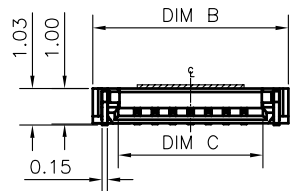
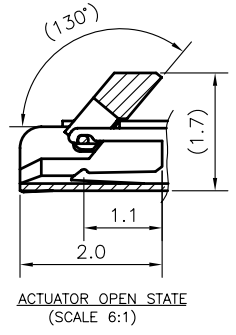
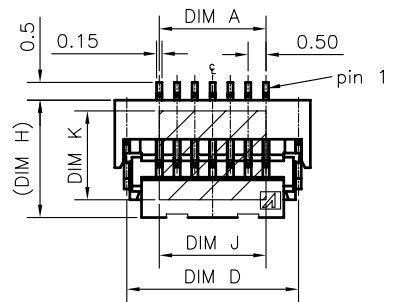
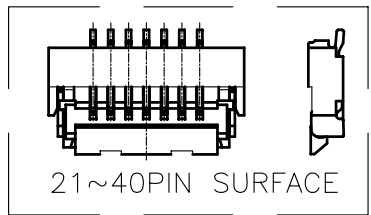


RECOMMENDED PCB LAYOUT
GENERAL TOLERANCE ±0.05



RECOMMENDED FPC/FFC DIMENSIONS
GENERAL TOLERANCE ±0.05



NOTES:

- MATERIAL:
 - HOUSING: THERMOPLASTIC, HIGH TEMP., UL94V-0; COLOR:BLACK OR NATURAL.
 - ACTUATOR: THERMOPLASTIC, HIGH TEMP., UL94V-0; COLOR:WHITE.
 - CONTACT: COPPER ALLOY
 - FITTING NAIL: COPPER ALLOY
- FINISH:
 - CONTACT:
 - 50~100u" NICKEL UNDERPLATING OVERALL.
 - 1:GOLD FLASH PLATING (0.5 U" MIN).
 - N:120u"Min MATT TIN PLATING (LEAD FREE).
 - B:5u" GOLD PLATED ON CONTACT AREA
 - GOLD FLASH PLATED ON SOLDER AREA
 - A:3u" GOLD PLATED ON CONTACT AREA
 - GOLD FLASH PLATED ON SOLDER AREA
 - FITTING NAIL:
 - 50~100u" NICKEL UNDERPLATING OVERALL.
 - 100~200u" MATT TIN PLATING (LEAD FREE).
- REFLOW SOLDER CAPABLE TO 260°C PER ACES SPEC.
- SPEC. PLS. REFER TO PS-50521-xxxx-xxx
- PACKAGE PLS SEE P/N
- PART NUMBER

50521-XXX X X-XXX

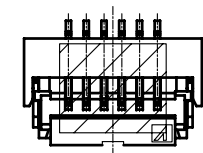
NO OF CKT

XXX	HOUSING MATERIAL & COLOR	ACTUATOR MATERIAL & COLOR	PACKING
001	LCP & BLACK	PA6T & WHITE	91506-XXXX-TRP
002	LCP & WHITE	PA6T & BLACK	91506-XXXX-TRP
003	LCP & BLACK	PA4T & BEIGE	91506-XXXX-TRP
005	LCP & BLACK	PA6T & WHITE	50521-xxxx-01-TRP

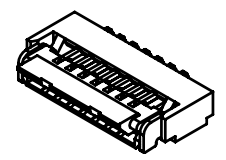
PLATING
1: GOLD FLASH
N:MATT TIN
B:5u" GOLD PLATED ON CONTACT AREA
A:3u" GOLD PLATED ON CONTACT AREA

PACKING

- TAPE & REEL
- TUBE
- TAPE & REEL WITH MYLAR
- TAPE & REEL WITH MYLAR
- TUBE WITH MYLAR

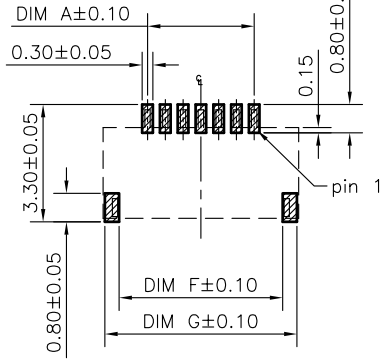


FOR 4~6 CKTS SURFACE

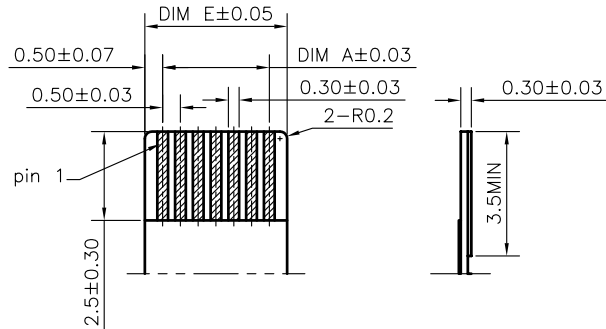


CKT	DIM A	DIM B	DIM C	DIM D	DIM E	DIM F	DIM G	DIM H	DIM J	DIM K
04	1.50	4.00	2.57	3.33	2.50	3.10	3.90			
05	2.00	4.50	3.07	3.83	3.00	3.60	4.40			
06	2.50	5.00	3.57	4.33	3.50	4.10	4.90			
07	3.00	5.50	4.07	4.83	4.00	4.60	5.40			
08	3.50	6.00	4.57	5.33	4.50	5.10	5.90		3.0	2.5
09	4.00	6.50	5.07	5.83	5.00	5.60	6.40			
10	4.50	7.00	5.57	6.33	5.50	6.10	6.90			
11	5.00	7.50	6.07	6.83	6.00	6.60	7.40			
12	5.50	8.00	6.57	7.33	6.50	7.10	7.90			
13	6.00	8.50	7.07	7.83	7.00	7.60	8.40			
14	6.50	9.00	7.57	8.33	7.50	8.10	8.90			
15	7.00	9.50	8.07	8.83	8.00	8.60	9.40		3.0	
16	7.50	10.00	8.57	9.33	8.50	9.10	9.90			
17	8.00	10.50	9.07	9.83	9.00	9.60	10.40			
18	8.50	11.00	9.57	10.33	9.50	10.10	10.90			
19	9.00	11.50	10.07	10.83	10.00	10.60	11.40			
20	9.50	12.00	10.57	11.33	10.50	11.10	11.90			
21	10.00	12.50	11.07	11.83	11.00	11.60	12.40		6.0	2.5
22	10.50	13.00	11.57	12.33	11.50	12.10	12.90			
23	11.00	13.50	12.07	12.83	12.00	12.60	13.40			
24	11.50	14.00	12.57	13.33	12.50	13.10	13.90			
25	12.00	14.50	13.07	13.83	13.00	13.60	14.40			
40	19.50	22.00	20.57	21.33	20.50	21.10	21.90	3.3	10.0	2.8

一般公差 TOOLERANCES X +0.50 XX ±0.15 X +0.25 .XXX ±0.10 ANGLES ±2°		宏致電子股份有限公司 Aces Electronics Co.,Ltd.	
檢驗尺寸標示 SYMBOLS INDICATE CLASSIFICATION DIMENSION MARK IS CRITICAL DIM. MARK IS MAJOR DIM.	品名 (TITLE) 0.5 PITCH FPC EASY ON TYPE 圖號 (DWG NO.) 50521-XXXXX-XXX	製圖 (DR) 17/05/24 COCOYU 審核 (CHKD) BRAVE 核准 (APPD) FRANK	張數 (SHEET) 1 OF 3 尺寸 (SIZE) A4 版次 (REV) P
表面處理 (FINISH)	比例 (SCALE) 3:1	單位 (UNITS) mm	



RECOMMENDED PCB LAYOUT
GENERAL TOLERANCE ±0.05

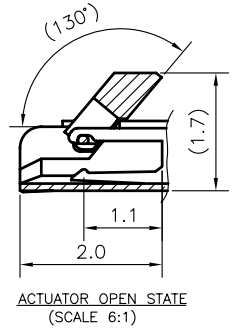
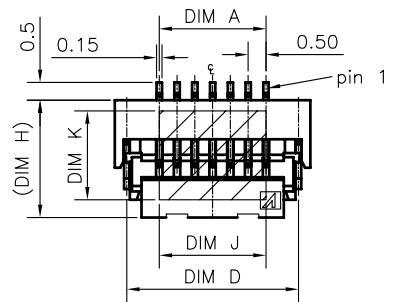
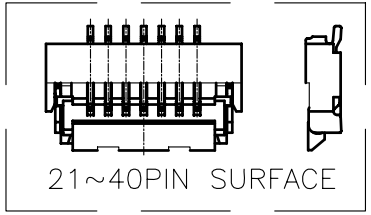


RECOMMENDED FPC/FFC DIMENSIONS
GENERAL TOLERANCE ±0.05

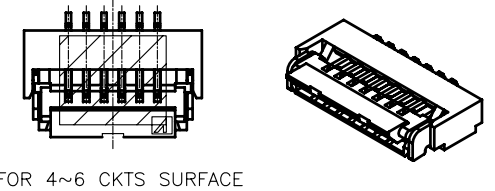
- NOTES:
- MATERIAL:
 - HOUSING: THERMOPLASTIC, HIGH TEMP., UL94V-0; COLOR:BLACK OR NATURAL.
 - ACTUATOR: THERMOPLASTIC, HIGH TEMP., UL94V-0; COLOR:WHITE.
 - CONTACT: COPPER ALLOY
 - FITTING NAIL: COPPER ALLOY
 - FINISH:
 - CONTACT:
 - GOLD FLASH PLATING.
 - 50~100u" NICKEL UNDERPLATING OVERALL.
 - N:50~100u" NICKEL UNDERPLATING OVERALL.
 - 120u"Min MATT TIN PLATING (LEAD FREE).
 - FITTING NAIL:
 - 100~200u" MATT TIN PLATING (LEAD FREE).
 - 50~100u" NICKEL UNDERPLATING OVERALL.
 - REFLOW SOLDER CAPABLE TO 260°C PER ACES SPEC.
 - SPEC. PLS. REFER TO PS-50521-xxxxx
 - PACKAGE PLS SEE P/N
 - PART NUMBER

50521-XXX X X-XXX

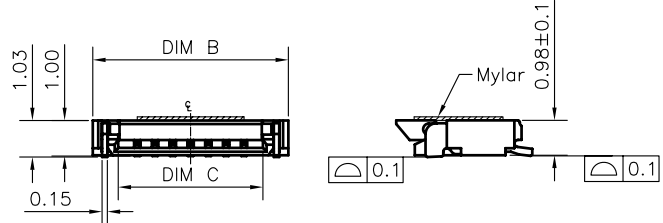
NO OF CKT	XXX	HOUSING COLOR	ACTUATOR COLOR	PACKING
	001	BLACK	BEIGE	91506-XXXXX-TRP
	003	BLACK	BEIGE	91506-XXXXX-TRP



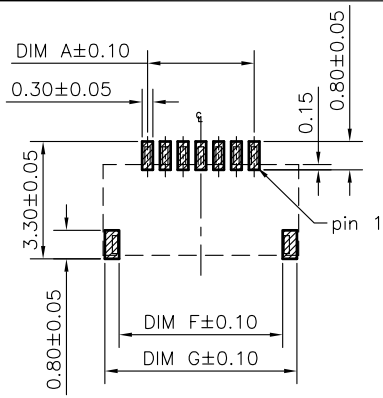
- PACKING
- 0: TAPE & REEL
 - 1: TUBE
 - 4: TAPE & REEL WITH MYLAR
 - 5: TUBE WITH MYLAR
- PLATING
- 1: GOLD FLASH
 - N: MATT TIN



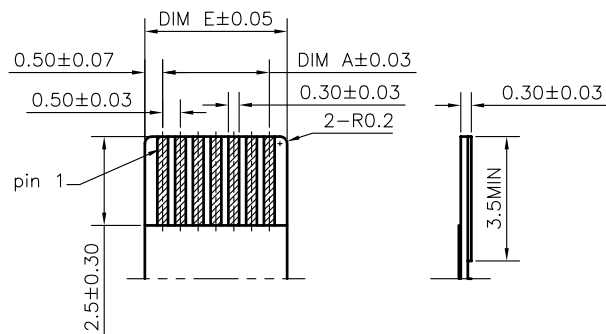
CKT	DIM A	DIM B	DIM C	DIM D	DIM E	DIM F	DIM G	DIM H	DIM I	DIM K
26	12.50	15.00	13.57	14.33	13.50	14.10	14.90			
27	13.00	15.50	14.07	14.83	14.00	14.60	15.40			
28	13.50	16.00	14.57	15.33	14.50	15.10	15.90	3.0	6.0	2.5
29	14.00	16.50	15.07	15.83	15.00	15.60	16.40			
30	14.50	17.00	15.57	16.33	15.50	16.10	16.90			
31	15.00	17.50	16.07	16.83	16.00	16.60	17.40			
32	15.50	18.00	16.57	17.33	16.50	17.10	17.90			
33	16.00	18.50	17.07	17.83	17.00	17.60	18.40			
34	16.50	19.00	17.57	18.33	17.50	18.10	18.90			
35	17.00	19.50	18.07	18.83	18.00	18.60	19.40	3.3	10.0	2.8
36	17.50	20.00	18.57	19.33	18.50	19.10	19.90			
37	18.00	20.50	19.07	19.83	19.00	19.60	20.40			
38	18.50	21.00	19.57	20.33	19.50	20.10	20.90			
39	19.00	21.50	20.07	20.83	20.00	20.60	21.40			



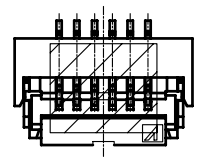
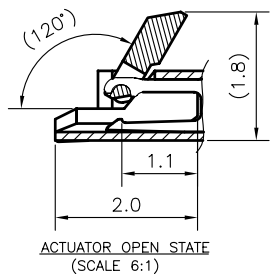
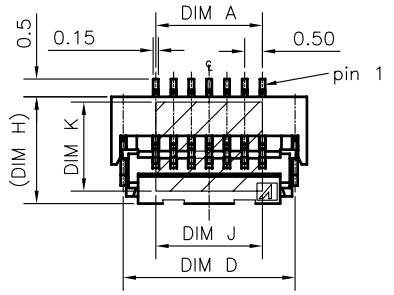
一般公差 TOLERANCES X +0.50 XX ±0.15 X +0.25 XXX ±0.10 ANGLES ±2°		宏致電子股份有限公司 Aces Electronics Co.,Ltd.	
檢驗尺寸標示 SYMBOLS ⊕ INDICATE CLASSIFICATION DIMENSION ⊕ MARK IS CRITICAL DIM. ⊕ MARK IS MAJOR DIM.	品名 (TITLE) 0.5 PITCH FPC EASY ON TYPE 圖號 (DWG NO.) 50521-XXXXX-XXX	製圖 (DR) 17/05/24 COCOYU 審核 (CHKD) BRAVE 核准 (APPD) FRANK	張數 (SHEET) 2 OF 3 SIZE A4 REV P
表面處理 (FINISH)	比例 (SCALE) 3:1	單位 (UNITS) mm	



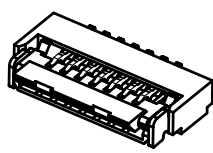
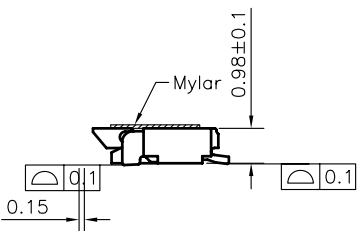
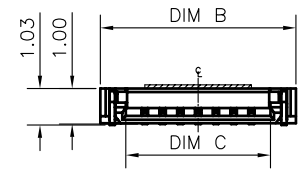
RECOMMENDED PCB LAYOUT
GENERAL TOLERANCE ±0.05



RECOMMENDED FPC/FFC DIMENSIONS
GENERAL TOLERANCE ±0.05



FOR 4~6 CKTS SURFACE



NOTES:

- MATERIAL:
 - HOUSING: THERMOPLASTIC, HIGH TEMP., UL94V-0; COLOR:BLACK OR NATURAL.
 - ACTUATOR: THERMOPLASTIC, HIGH TEMP., UL94V-0; COLOR:WHITE.
 - CONTACT: COPPER ALLOY
 - FITTING NAIL: COPPER ALLOY
- FINISH:
 - CONTACT:
 - GOLD FLASH PLATING.
 - 50~100u" NICKEL UNDERPLATING OVERALL.
 - N:50~100u" NICKEL UNDERPLATING OVERALL.
 - 100~200u" MATT TIN PLATING (LEAD FREE).
 - FITTING NAIL:
 - 100~200u" MATT TIN PLATING (LEAD FREE).
 - 50~100u" NICKEL UNDERPLATING OVERALL.
- REFLOW SOLDER CAPABLE TO 260°C PER ACES SPEC.
- SPEC. PLS. REFER TO PS-50521-xxxxx
- PACKAGE PLS SEE P/N
- PART NUMBER

50521-XXX X X-XXX

NO OF CKT	XXX	HOUSING COLOR	ACTUATOR COLOR	PACKING
	004	BLACK	NATURAL	91506-XXXXX-TRP

- PACKING
- 0: TAPE & REEL
 - 1: TUBE
 - 4: TAPE & REEL WITH MYLAR
 - 5: TUBE WITH MYLAR
- PLATING
- 1: GOLD FLASH
 - N: MATT TIN

CKT	DIM A	DIM B	DIM C	DIM D	DIM E	DIM F	DIM G	DIM H	DIM J	DIM K
04	1.50	4.00	2.57	3.33	2.50	3.10	3.90	3.0	3.0	2.5
<p>一般公差 TOLERANCES X ±0.50 .XX ±0.15 X ±0.25 .XXX ±0.10 ANGLES ±2°</p>										
<p>檢驗尺寸標示 SYMBOLS Ⓢ INDICATE CLASSIFICATION DIMENSION Ⓢ MARK IS CRITICAL DIM. Ⓢ MARK IS MAJOR DIM.</p>					<p>品名 (TITLE) 0.5 PITCH FPC EASY ON TYPE 圖號 (DWG NO.) 50521-XXXXX-XXX</p>				<p>製圖 (DR) 17/05/24 COCOYU 審核 (CHKD) BRAVE 核准 (APPD) FRANK</p>	
<p>表面處理 (FINISH)</p>				<p>比例 (SCALE) 3:1</p>	<p>單位 (UNITS) mm</p>			<p>張數 (SHEET) 3 OF 3</p>	<p>SIZE A4</p>	<p>REV P</p>

宏致電子股份有限公司
Aces Electronics Co.,Ltd.